

4

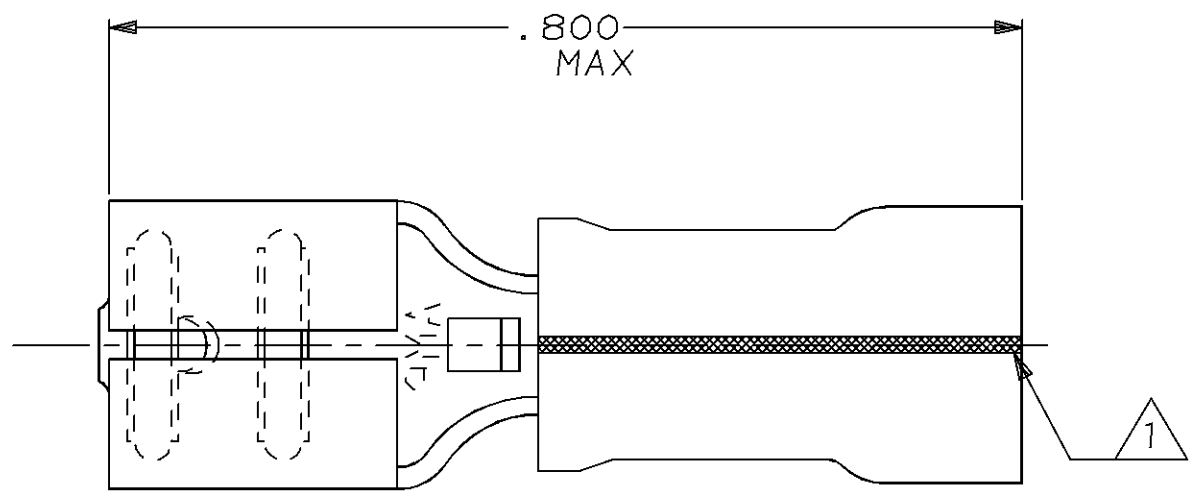
3

2

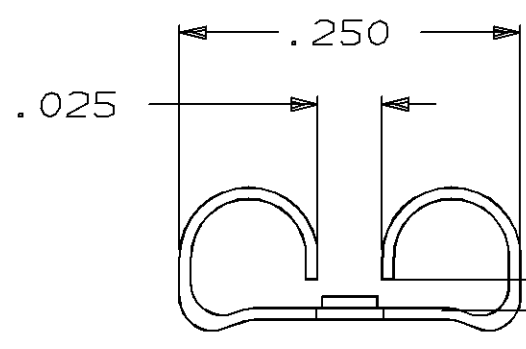
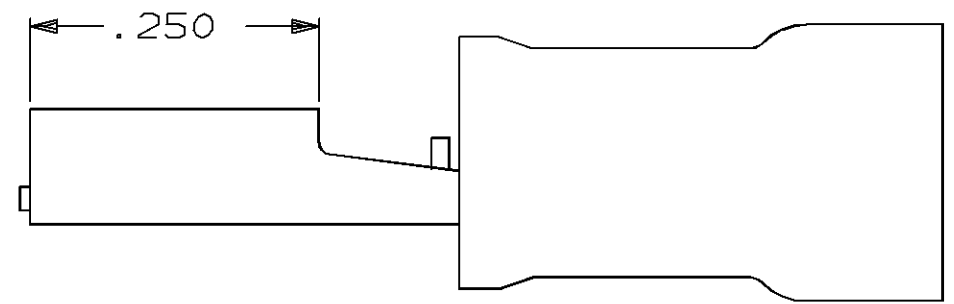
1

THIS DRAWING IS UNPUBLISHED. RELEASED FOR PUBLICATION ,19 .
 © COPYRIGHT 19 BY AMP INCORPORATED. ALL RIGHTS RESERVED.

| LOC | DIST | REVISIONS | | | |
|-----|------|-------------|--------------------------|---------|-------|
| P | LTR | DESCRIPTION | DATE | DWN | APVD |
| G | 14 | H | REDRAWN PER 0720-0244-93 | 24APR96 | LO ME |



- 1 3 BLACK STRIPES (120° APART) ON SLEEVE WILL BE POSITIONED AT ANY LOCATION WHEN ASSEMBLED TO BODY
- 2. INSULATION RANGE .135 MAX
- 3. TAB THK .020±.001



FITS "205" SERIES FASTON TAB
 REFER TO CP-15466 FOR DETAILS

| | | |
|-----|--------------|----------|
| - | LOOSE PIECE | 640174-1 |
| QTY | PACKAGE TYPE | PART NO |

AMP INCORPORATED
CUSTOMER SERVICE SYSTEM

| | |
|--|--|
| FOR ADDITIONAL PRODUCT INFORMATION OR COPIES OF DRAWINGS AND TECHNICAL DOCUMENTS | PRODUCT INFORMATION CENTER 1-800-522-6752 |
| FOR APPLICATION TOOLING INFORMATION | TOOLING ASSISTANCE CENTER 1-800-722-1111 |
| FOR ORDER ENTRY | 1-800-526-5142 |

MAX RECOMMENDED OPERATING TEMPERATURE:
-

VOLTAGE RATING:
-

CIRCULAR MIL AREA:
-

THIS DRAWING IS A CONTROLLED DOCUMENT FOR AMP INCORPORATED. IT IS SUBJECT TO CHANGE AND THE CONTROLLING ENGINEERING ORGANIZATION SHOULD BE CONTACTED FOR THE LATEST REVISION.

| DIMENSIONS: | TOLERANCES UNLESS OTHERWISE SPECIFIED. |
|-------------|--|
| mm [in] | |
| | 0 PLC ±- |
| | 1 PLC ±- |
| | 2 PLC ±0.38 [.015] |
| | 3 PLC ±- |
| | 4 PLC ±- |
| ANGLES | ±- |

MATERIAL: BODY, BRASS .016; SLV, NYLON, COLOR, RED

FINISH: BODY, TIN

| | | |
|------------------|----------|---------|
| DWN | L OLMEDA | 26JUN95 |
| CHK | M ELLIS | 26JUN95 |
| APVD | B BARE | 26JUN95 |
| PRODUCT SPEC | - | - |
| APPLICATION SPEC | - | - |
| WEIGHT | - | - |
| CUSTOMER DRAWING | | |

AMP AMP Incorporated
 Harrisburg, PA 17105-3608

NAME: RECEPTACLE, 205 SERIES, FASTON™, PIDG™, WIRE SIZE, 22-18 AWG

| | | |
|------|-----------|------------|
| SIZE | CAGE CODE | DRAWING NO |
| A3 | 00779 | C-640174 |

SCALE: NTS SHEET: 1 OF 1 REV: H